

SONY.

**Car Stereo
Service Bulletin**

Sony Service Company - Technical Services
A Division of Sony Corporation of America
Sony Drive, Park Ridge, New Jersey 07656

Model: XEC-1000

No.179

Subject: No Audio Or Buzzing/Engine Whine

Date: October 25, 1990

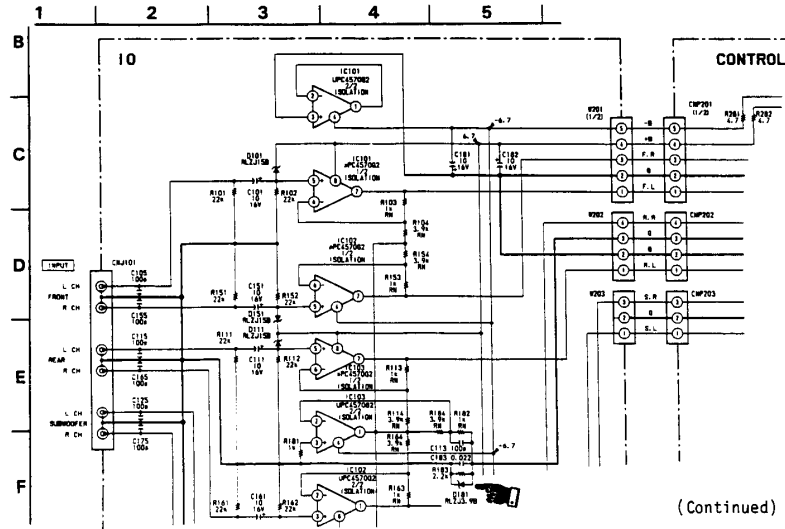
Symptom:
(51)

If the unit is brought in with a complaint of no audio output or buzzing in the output, perform the following procedure listed below. This symptom will usually occur in systems which have a number of high powered amplifiers.

Solution: Remove D181 from the "IO" Board and inspect the Main Board for any open traces in the locations shown.

Miscellaneous
CSA-14

Ref. No.	Description	Board Location	Schematic Location
D181	Zener Diode PLZ-J15B	"IO" Board I-10	F-5



(Continued)

Reference: Komino, Takahashi 9/11/90 / Autoflagging (YES)

PRINTED IN U.S.A.
CSA-141090-3

